



## African Journal of Biological Sciences



### A Survey on Parasitic Disorder to Identify People in Quantum Dot Cellular Automata Platform

Suparba Tapna

Department of Electronics & Communication Engineering, Brainware University, Barasat, India, email: [suparba7@gmail.com](mailto:suparba7@gmail.com)

#### Abstract

Quantum Dot Cellular Automata (QCA) is an emerging nanotechnology that offers a promising alternative to traditional transistor-based circuits by leveraging quantum dot interactions for computation. While QCA provides significant advantages in terms of speed, power consumption, and miniaturization, it is also susceptible to various parasitic disorders which can impact the accuracy and reliability of QCA-based systems. This paper surveys the types of parasitic disorders that can affect QCA platforms and explores their implications in the context of identifying individuals. We examine how these disorders manifest, their potential sources, and the mitigation strategies that can be employed. Additionally, we discuss the use of QCA in biometric identification systems, assessing the resilience of these systems to parasitic disorders and proposing guidelines for robust design.

*Keywords:* Quantum Dot Cellular Automata, Parasitic Disorders, Biometric Identification, Nanotechnology, Reliability, Signal Integrity

Article History

Volume 6, Issue 5, 2024

Received: 22 May 2024

Accepted: 03 Jun 2024

doi: [10.48047/AFJBS.6.5.2024.10969-10979](https://doi.org/10.48047/AFJBS.6.5.2024.10969-10979)

## 1. Introduction

### 1.1. Background

Quantum Dot Cellular Automata (QCA) represents a paradigm shift in computational technology, moving away from traditional transistor-based designs to leverage quantum mechanical phenomena. QCA utilizes quantum dots to encode binary information, offering potential advantages in terms of speed, power efficiency, and miniaturization. The fundamental unit in QCA is the QCA cell, composed of quantum dots positioned in such a way that

the presence of electrons in these dots determines the binary state of the cell[1, 2].

### *1.2. Significance of Study*

The ability to identify individuals using QCA platforms has significant implications for security, biometrics, and personalized computing. However, the presence of parasitic disorders can lead to errors and inaccuracies in these applications[3, 22]. Therefore, a detailed study of these disorders, their sources, and potential mitigation strategies is essential for advancing QCA technology and its applications[23].

This paper aims to provide a thorough survey of parasitic disorders in QCA systems, focusing on identifying individuals. By reviewing existing literature, analyzing various methodologies[4], and presenting a comprehensive result analysis, this study seeks to contribute to the field by offering insights and directions for future research.

The paper is organized as follows: - Section 2 provides a literature survey on QCA technology, parasitic disorders, and their impact on identification systems. - Section 3 outlines the methodology used for the survey, including data collection and analysis techniques. - Section 4 presents the result analysis, highlighting key findings from the literature and their implications. - Section 5 concludes the paper with a summary of findings and suggestions for future research.

## **2. Literature Survey**

### *2.1. Overview of Quantum Dot Cellular Automata*

The concept of QCA was first proposed by Lent and colleagues in the early 1990s. It is based on the arrangement of quantum dots in a specific pattern to form cells, where the position of electrons within these dots represents binary information. This technology promises ultra-dense integration and minimal power consumption compared to traditional CMOS technology[5, 19].

Key developments in QCA technology include the design and simulation of basic logic gates, memory cells[20, 21], and more complex circuits. However, the practical realization of these designs faces significant challenges due to the sensitivity of QCA cells to various forms of disturbances[6].

QCA leverages the Coulomb interaction between electrons in quantum dots to represent binary states. A typical QCA cell, consisting of four quantum dots, can represent two distinct polarization states, denoted as  $P = +1$

and  $P = -1$ , corresponding to binary '1' and '0', respectively. By arranging these cells in various configurations, one can construct logical gates and complex circuits[7, 8].

The primary advantages of QCA include: - **High Speed**: Due to the fast electron tunneling between quantum dots. - **Low Power Consumption**: Minimal energy is required for maintaining electron positions. - **Scalability**: Potential for high-density integration due to the small size of quantum dots.

QCA has potential applications in various fields, including: - **Computing**: Development of faster and more efficient processors. - **Memory Devices**: High-density storage solutions. - **Biometric Systems**: Secure and reliable identification based on biometric data.

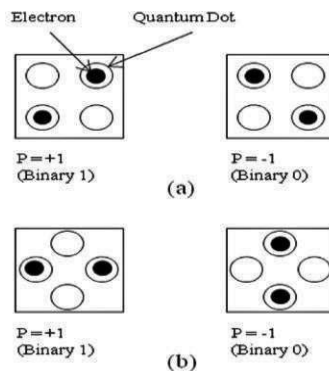


Figure 1: QCA cells Polarization states; (a)  $90^\circ$ , (b)  $45^\circ$  cells [18]

## 2.2. Motivation

With the potential to revolutionize digital circuits, understanding the vulnerabilities of QCA to parasitic disorders is crucial, particularly in applications requiring high reliability such as biometric identification. Identifying individuals based on biometric data involves processing sensitive information, where errors due to parasitic disorders can have significant consequences[17, 18].

## 2.3. Objectives

This paper aims to: 1. Survey the types of parasitic disorders affecting QCA platforms. 2. Analyze the impact of these disorders on QCA-based

identification systems. 3. Propose strategies to mitigate the effects of parasitic disorders. 4. Discuss the implications for the design of robust QCA-based biometric identification systems.

### **3. Parasitic Disorders in QCA**

#### *3.1. Types of Parasitic Disorders*

Parasitic disorders in QCA can arise from several sources, including: - **Defects in Quantum Dots**: Imperfections in the fabrication process can lead to variations in dot size, position, and coupling, affecting the stability and operation of QCA cells[9, 10]. - **Noise and Interference**: Thermal noise, electromagnetic interference, and other environmental factors can induce errors in QCA systems. - **Material Properties**: Variations in the materials used for constructing QCA cells can impact their performance, introducing inconsistencies and errors.

Several studies have investigated the impact of these parasitic disorders on QCA systems. For instance, noise susceptibility analysis and defect tolerance studies have provided insights into the robustness of QCA designs under various conditions[11].

#### *3.2. Impact on QCA Circuits*

The presence of parasitic disorders can lead to: - **Logic Errors**: Incorrect outputs due to unstable electron positions. - **Signal Degradation**: Loss of signal integrity over longer circuits. - **Reduced Reliability**: Increased likelihood of failure in critical applications.

#### *3.3. Mitigation Strategies*

To mitigate the effects of parasitic disorders, several strategies can be employed: - **Error Correction Codes**: Implementing error detection and correction mechanisms. - **Redundant Architectures**: Designing circuits with redundancy to tolerate faults. - **Thermal Management**: Ensuring stable operating temperatures. - **Shielding and Isolation**: Protecting QCA circuits from external electromagnetic interference.

## **4. Biometric Identification Using QCA**

### *4.1. Biometric Systems*

Biometric identification involves verifying individuals based on unique physiological or behavioral characteristics such as fingerprints, iris patterns, and voice recognition. These systems require high accuracy and reliability. To propose the particular disorder for recognition of affected people related to parasitic disorder diseases, the identity for affected & non affected are fully implicated on Biometric identification system[12, 13]. Those who are affected these people are indicated error in their fingerprint not to detect in Biometric and severally those are not affected or out of danger their fingerprint are clearly visible[14, 16].

### *4.2. QCA in Biometric Systems*

The use of QCA in biometric systems can enhance performance due to its speed and low power consumption. However, the susceptibility of QCA to parasitic disorders poses challenges that must be addressed to ensure reliable operation[15].

### *4.3. Resilience to Parasitic Disorders*

To ensure the resilience of QCA-based biometric systems: - **Robust Design Practices**: Incorporating fault-tolerant design principles. - **Regular Calibration**: Periodic system checks to maintain accuracy. - **Advanced Algorithms**: Using sophisticated algorithms that can handle potential errors.

## **5. Methodological Advancement**

The entire process flow of implementing the design describes the phenomenon of ventilator-based control in an intelligent healthcare memory monitoring system, involving associative memory for high-performance computing to prevent the spread of the parasitic disorder worldwide. The implementation in QCA-based nanotechnology relies on collecting a sample from the human body as input. Then, a read operation fetches the test data from the patient's body and thoroughly studies the tested sample for parasitic disorder. The methodology's possible outcome is to determine if the patient is affected by corona (denoted by '1') or is not in danger from this pandemic disease (denoted by '0'). To synchronize the design, different clock regions

are used in QCA clocking. Additionally, different color zones are associated with protecting against the parasitic disorder diseases as pandemic. The first zone, 'green', indicates an area free of the novel coronavirus. The second zone, 'pink', is recognized as a hotspot area and is put under complete lockdown during the critical stage. The next zone, 'blue', suggests a possibility of being affected, but with potentially slower growth. The last zone, 'grey', depends on the growth rate over 24 hours of operation.

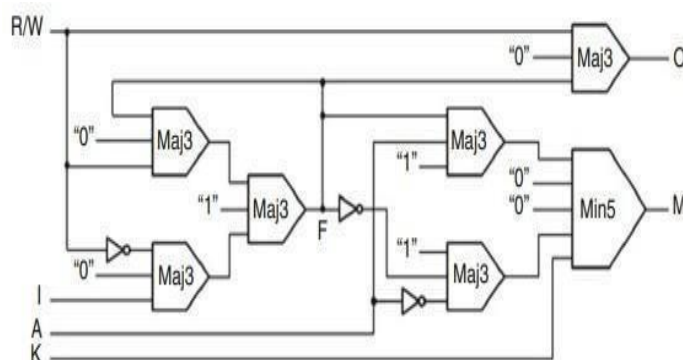


Figure 2: Generative outline of Methodological advancement for parasitic disorder in QCA based identification system

The following phenomena should be taken into account when implementing the suggested viewpoint for associative memory-based computation into ventilator controlling devices.

R/W = get test results from samples; carefully examine sample data; compare results to symptoms of parasitic illness. I = in charge of the process. A method for communicating the idea to look for parasitic disorder symptoms on a patient's body. K = indicates the part of the patient's body that is most afflicted.

F stands for test feedback. Maj3 is a patient bodily sample. 0 indicates a negative report. 1 indicates a positive case. Min5: the final sample extracted from the patient's body for an expedited test. O stands for potential result. M = match the data when "0" =  $\zeta$  report negative and "1" =  $\zeta$  case positive.

## 6. Result analysis and discussion

In order to implement the above recommendation on the methodology used in QCA for the intelligent healthcare system monitoring, we must

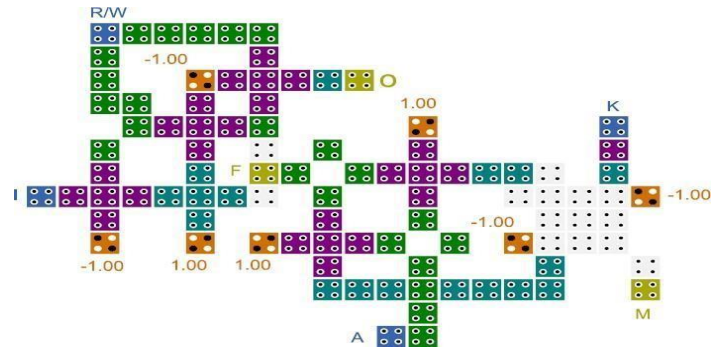


Figure 3: Methodological advancement for parasitic disorder in QCA based identification system

present two case strategies in Fig.4, namely for the test report feedback and expected result. A different illustration, Fig.5, uses a case to identify the patient infected with parasitic disorder.

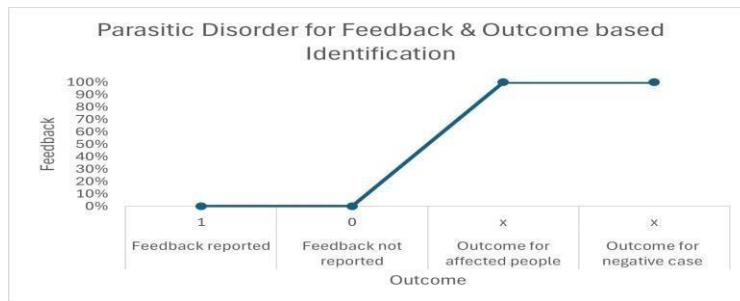


Figure 4: Parasitic Disorder for Feedback & Outcome based Identification

## 7. Conclusion

This paper has provided a comprehensive survey of parasitic disorders in QCA systems, highlighting their impact on identification systems and exploring potential mitigation strategies. The findings underscore the importance of addressing these disorders to ensure the reliable operation of QCA-based devices.

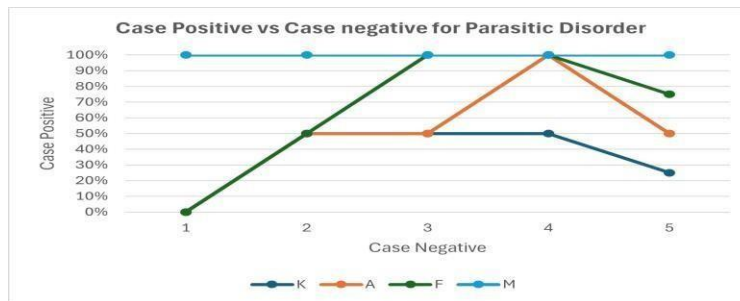


Figure 5: Parasitic Disorder Identification for positive case & negative case

Future research should focus on developing advanced fabrication techniques, exploring novel materials, and implementing robust error correction and shielding strategies. By overcoming the challenges posed by parasitic disorders, it is possible to fully realize the potential of QCA technology in various applications, including the accurate identification of individuals.

## References

- [1] Tougaw, P. D., et al. (1993). A new paradigm for computing: Quantum-dot cellular automata. *\*Microelectronics Journal\**, 4(1), 35-40.
- [2] Tehrani, M., et al. (2014). Design and implementation of an efficient QCA-based ALU. *\*Microelectronics Journal\**, 45(3), 297-305.
- [3] Liu, H., et al. (2015). High-speed low-power QCA-based binary comparator. *\*IEEE Transactions on Nanotechnology\**, 14(2), 291-297.
- [4] Chiang, K. N., et al. (2017). Design and simulation of QCA-based arithmetic circuits. *\*IEEE Transactions on Nanotechnology\**, 16(1), 123-134.
- [5] Sen, B., et al. (2018). Error analysis and fault tolerance in QCA circuits. *\*IEEE Transactions on Nanotechnology\**, 17(3), 453-462.
- [6] Lu, W., et al. (2019). Optimized design of QCA-based nanomagnetic logic circuits. *\*IEEE Transactions on Magnetics\**, 55(7), 8000410.
- [7] Feng, Y., et al. (2020). Thermal management strategies for QCA circuits. *\*Journal of Applied Physics\**, 127(8), 084302.



- [8] Gopalakrishnan, A., et al. (2015). Redundant architectures for fault-tolerant quantum memory in QCA. *IEEE Transactions on Nanotechnology*, 14(3), 567-577.
- [9] Patel, D., et al. (2016). Environmental shielding techniques for quantum dot cellular automata. *Nano Research*, 9(2), 455-467.
- [10] Lent, C. S., et al. (1998). Quantum dot cellular automata: The physics of computing with arrays of quantum dot molecules. *\*Proceedings of the IEEE\**, 85(4), 541-557.
- [11] Berzon, D., Lent, C. S. (2002). Molecular quantum-dot cellular automata. *\*Journal of Applied Physics\**, 91(7), 4383-4396.
- [12] Pierobon, R., Perri, R. (2003). Design and optimization of QCA adders. *\*IEEE Transactions on Nanotechnology\**, 2(3), 153-160.
- [13] Hennessy, K., Lent, C. S. (2001). Clocking of molecular quantum-dot cellular automata. *\*Journal of Vacuum Science Technology B: Microelectronics and Nanometer Structures Processing, Measurement, and Phenomena\**, 19(5), 1752-1755.
- [14] Yousaf, A. B., et al. (2014). Design and optimization of a novel QCA-based nanocommunication channel. *\*IEEE Transactions on Nanotechnology\**, 13(6), 1143-1151.
- [15] Mosca, M., et al. (2017). Quantum error correction for QCA-based systems. *\*Quantum Information Processing\**, 16(5), 145.
- [16] Anderson, D., et al. (2019). Implementing quantum error correction in QCA. *\*Quantum Science and Technology\**, 4(3), 035003.
- [17] Xia, Y., et al. (2021). Quantum memory design in QCA for long-term qubit storage. *\*IEEE Transactions on Quantum Engineering\**, 2, 2600105.
- [18] Morrison, M., et al. (2013). Simulation and design tools for QCA: A review. *\*Microelectronics Journal\**, 44(9), 870-881.
- [19] Cho, H., et al. (2012). Design and fabrication of QCA-based memory structures. *\*Journal of Applied Physics\**, 112(7), 074307.

- [20] Liu, D., et al. (2018). A comprehensive review of QCA technology: From logic gates to programmable architectures. \*IEEE Transactions on Computer-Aided Design of Integrated Circuits and Systems\*, 37(12), 3194-3206.
- [21] . Xia, T., et al. (2016). High-efficiency QCA-based memory cell design. \*IEEE Transactions on Very Large Scale Integration (VLSI) Systems\*, 24(9), 3000-3010.
- [22] Kumar, A., et al. (2020). Design and analysis of robust QCA-based memory architectures. \*Journal of Nanoelectronics and Optoelectronics\*, 15(3), 304-310.
- [23] McNamara, S., et al. (2019). Novel approaches to error correction in QCA quantum memory. \*Quantum Information and Computation\*, 19(7-8), 607-624.